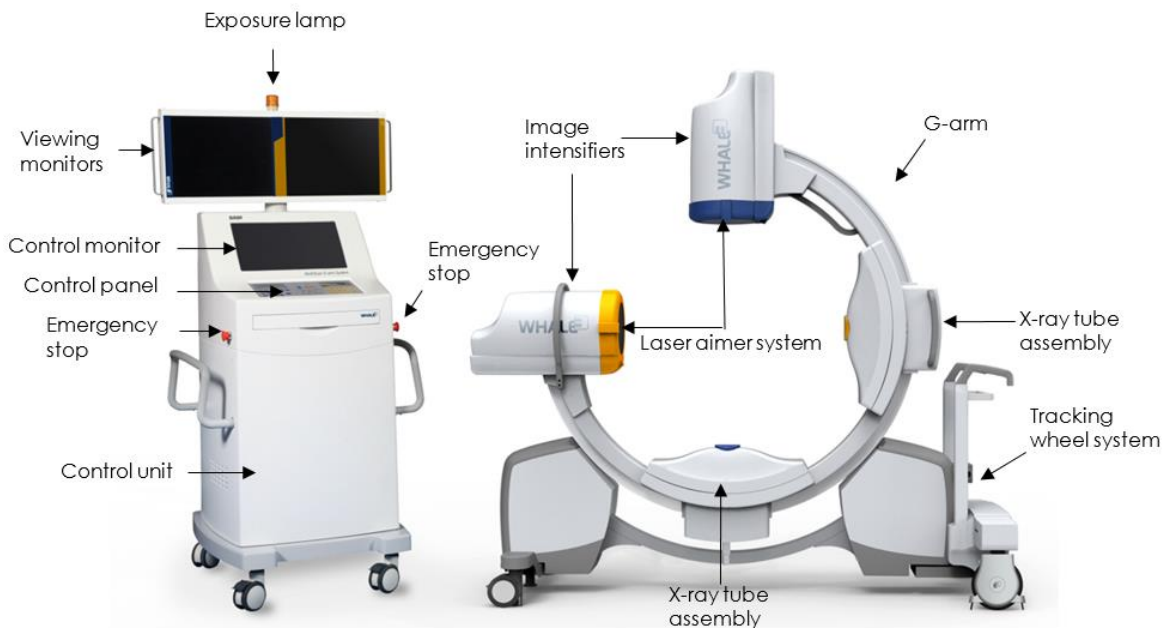


Technical Specifications



G-Arm™ system model GXi 2 Version 100AU

Manufactured by Whale Imaging Inc
date: 19 Feb 2015



Tracking wheel system

Tracking wheels

Handle operated 90° in-line/perpendicular swivel mechanism. Cable protectors.

Laser aimer system

Laser device (2)

ii mounted low energy Class 1 with visible red output

Monoblock X-ray Units (2)

X-ray tube type

IMD E-40HF IMD/XR04 Monoblock design

Focal spots

0.6mm, 1.5mm IEC336

Anode material

Tungsten

Anode Angle

15°

Anode

Fixed

Thermal capacity

40kHU

Generator

E-9040-5HF (digital high frequency generator)

Fluoroscopy

Continuous fluoroscopy and Pulse fluoroscopy

Loading factors

kV: min 40 , max 110

Continuous fluoroscopy

0.1-4.0 mA

Pulse fluoroscopy

0.1-15.0 mA

ER fluoroscopy

8mA continuous (High Dose for Diagnostic Image Quality)

<1 mGy/h at 110kV and 3 mA

Leakage radiation

Ref. loading cond

110kV, 3mA

Image Intensifier Units (2)

Image Intensifier type

Thales TH9428HP2H653VR13

Useful entrance field size

≥215 mm

Output image diameter

20.0±0.2mm

Resolution

≥40lp/cm

Conversion factor

≥ 17 cd /m2/μGy/s

Contrast ratio

≥18

Grid

Size circular 242mm(9.528in)
 Lines/inch 103
 Ratio 8:1
 F.D. 100cm (39.4in)

TV Chain

TV-camera (two) CCD, 1024 x 1024 pixels
 Video out 12 bit
 Main Monitors 19"LCD monitors, flicker-free, high contrast and high brightness Maximum Resolution1280×1024@60Hz, mono 255 Grayscale
 Control Monitor 18.5" LCD×1 Native Resolution1360×768@60Hz, 255 Grayscale

Communication

Ports USB 2.0 (2)
 LAN 1000 Mbit/s

DICOM 3.0 standard Store
 Print
 Query/Retrieve
 Modality Worklist

Image documentation Printer slot: Sony UP- 990AD A4 or equivalent
 LAN, USB (2)

Fluoroscopy Controls

Safety Automatic shut off after 10 sec continuous expose, adjustable acoustic signal after 5 minute accumulated expose time, manual reset.

Collimator Virtual collimator.Iris collimator. Automatic limitation on the Source-Image Distance. Symmetric collimator, slot diaphragm.

Memory Last Image Hold.

Image processing Horizontal and vertical image Flipping. Digital image rotation (virtual setting). iC-Clear image processing suite: PC based Automatic Exposure Control (PCAEC) automatically selects an optimum imaging technique thereby minimising dose to surgeon and patient; Artifact Free Frame Averaging (AFFA) reduces noise without motion blur; Adaptive Nonlinear Edge Enhancement (ANEE) enhances edges and leaves uniform regions with original data quality; Multi-Point Image Optimization (MPIO) optimizes multiple images and incorporates back into a single image.AutoMap adjusts image brightness and contrast based on histogram analysis; AutoROI optimises the imaging technique to suit the anatomy; AutoDRM optimises dynamic range for subject anatomy.

Software Functions

X-ray system Manual Continuous Fluoroscopy
 Automatic Continuous Fluoroscopy
 Manual Pulse Fluoroscopy
 Automatic Pulse Fluoroscopy
 Half Dose Automatic Pulse Fluoroscopy
 Half Dose Automatic Continous Fluoroscopy
 ER Fluoroscopy

Workstation	Image Rotation Automatic Histogram Based Brightness and Contrast Optimization Dynamic Range Management User Interactive Brightness adjustment User Interactive Contrast adjustment Zoom function Annotation Left/Right flipping Up/Down flipping Positive/Negative image DAP PRINT (DICOM and paper) Power-off protection DICOM 3.0 transfer utility
-------------	---

Computer

Operating System	Windows Embedded Standard 7
CPU	≥4-core, 8-thread, 3.4GHz
Memory	≥4G
Hard disk	≥500G Byte
Ethernet	≥1000 Mbit/s

Mains Connection

DigiArc 100AU	
Mains connection	110/120VAC 50/60Hz
Main fuse	20A 600VAC

Operating Environment

Temperature	10°C-40°C (50°F-104°F)
Relative humidity	15%~70%
Barometric	700hPa~1060hPa

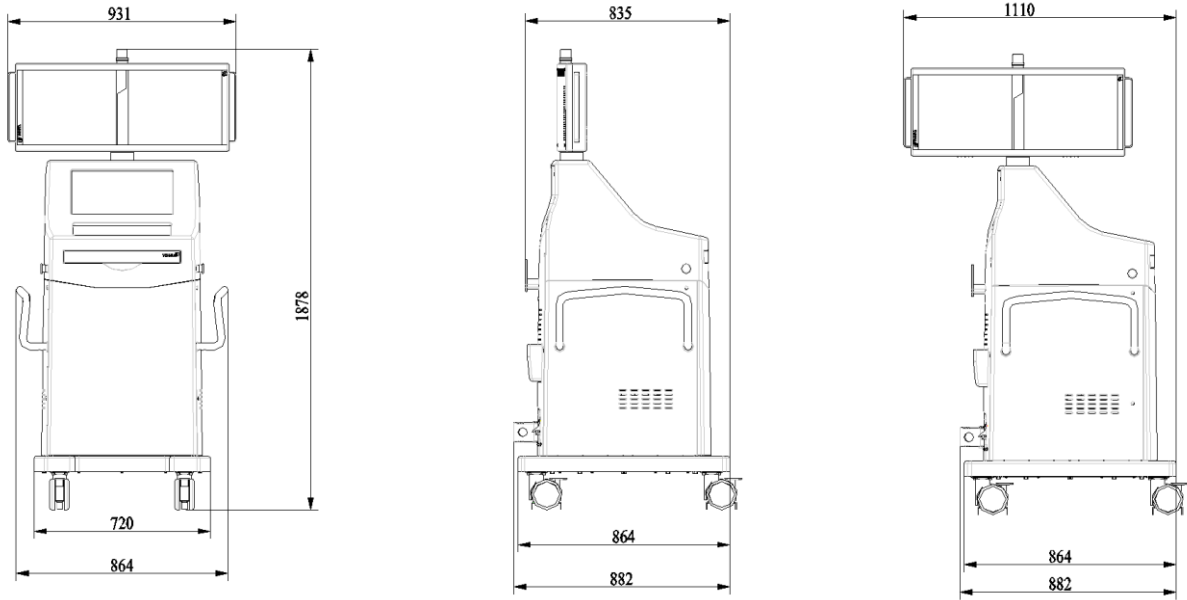
Transport and Storage Environment

Temperature	-10°C-55°C (14°F-131°F)
Relative humidity	10% ~85%
Barometric	700hPa~1060hPa

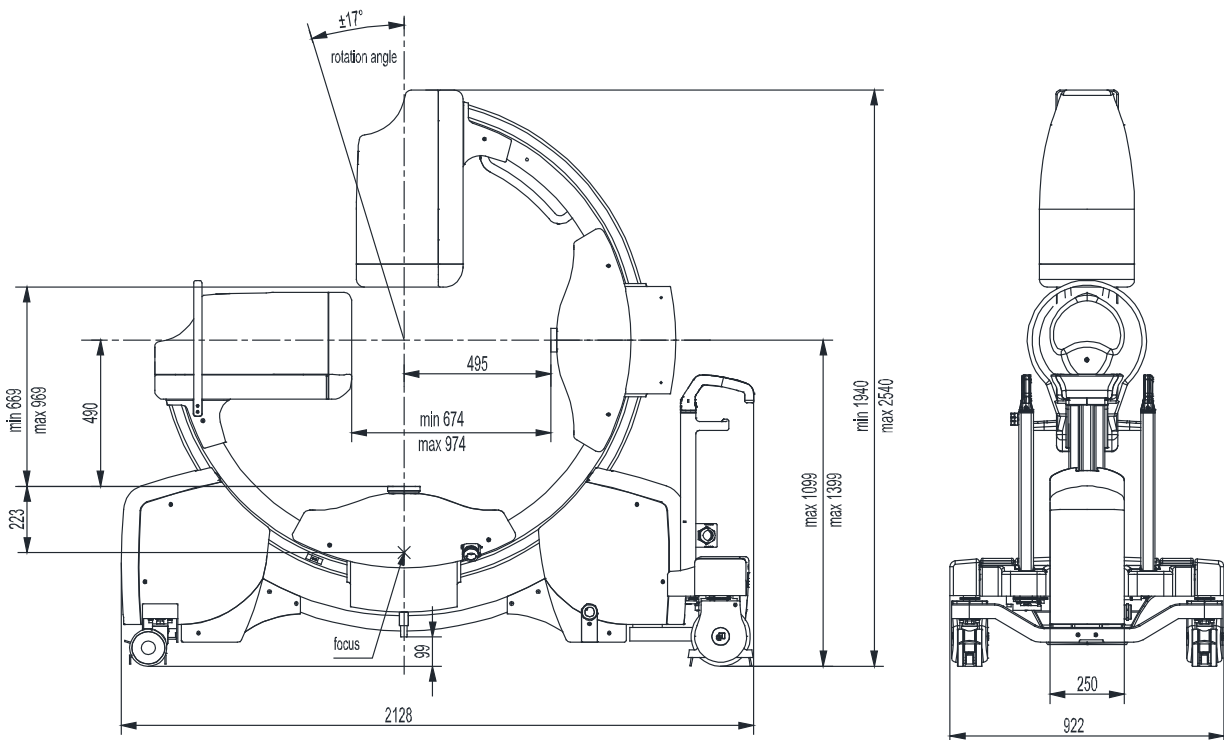
Dimensions

SID variable	950-1250mm, (37.4" to 49.2") motor driven, remote
Free space	690-990mm, (27.2" to 39.0")
I-l.-unit travel	300mm (11.8"), motor driven, remote
G-arm, bilateral vertical lift	300mm (11.8"), motor driven, remote
	Auto collision stop mechanism
G-arm, rotation	34° arc (±17°), motor driven, remote
G-arm height	Variable 1,940mm to 2,540mm (76.4" to 100.0")
G-arm width	922mm (36.3")
Control unit height	1,878mm (73.9")
Control unit width	931mm (36.7")
G-arm weight	365kg (805 lbs)
Control unit weight	235kg (518 lbs)

Dimensions

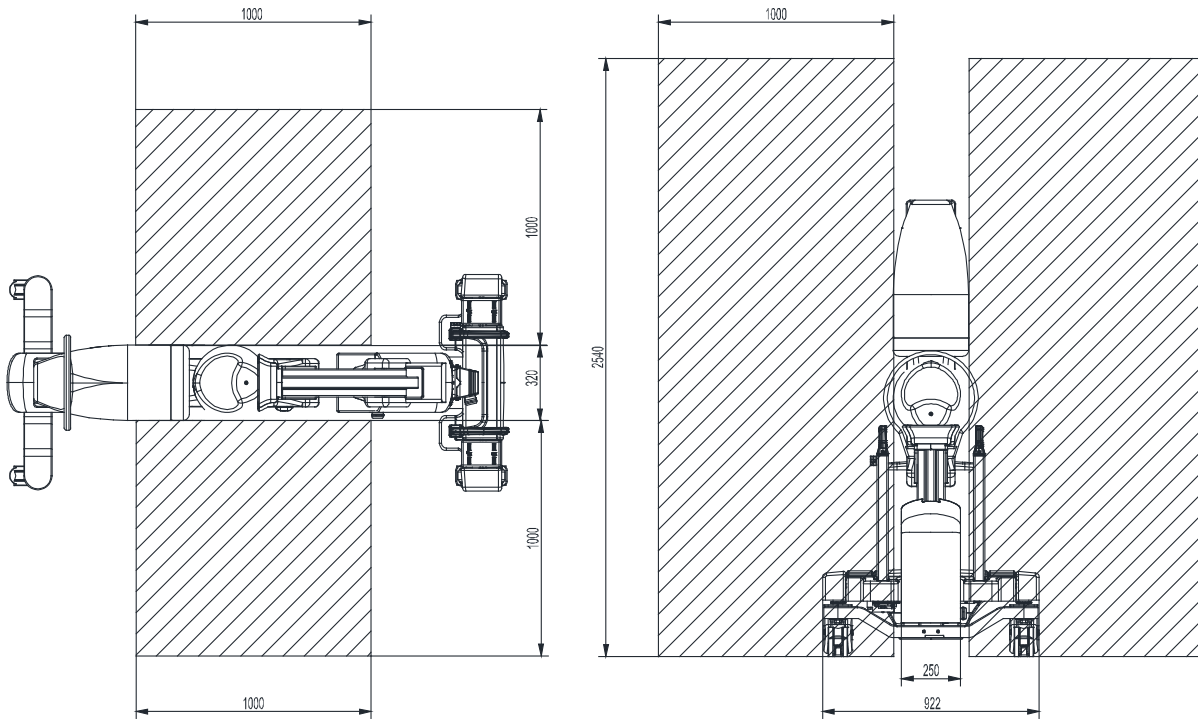


Control Unit Dimensions



G-arm GXi-2 dimensions

Working field



Required working space of G-arm GXi-2 (mm)

Whale Imaging Inc.
300 2nd Avenue
Waltham MA 02451
USA
P: +1 781 449 7200
enquire@whaleimaging.com

www.whaleimaging.com